

DVF-3200-S/3250-B

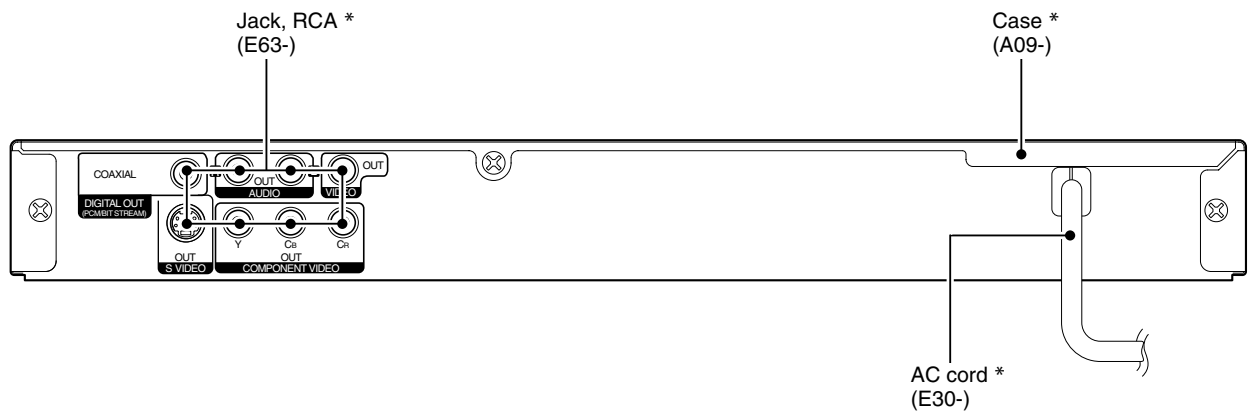
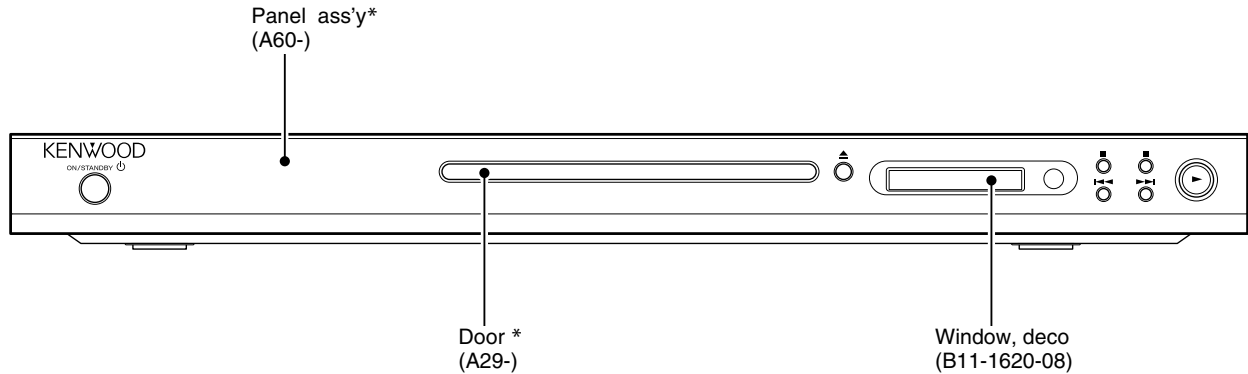
DVF-3250-S

SERVICE MANUAL

KENWOOD

Kenwood Corporation

© 2005-3 PRINTED IN KOREA
B51-5944-00 (K/K) 1010



*** Refer to parts list on page 14.**

In compliance with Federal Regulations, following are reproduction of labels on, or inside the product relating to laser product safety.

KENWOOD Corp. certifies this equipment conforms to DHHS Regulations No.21 CFR 1040. 10, Chapter 1, subchapter J.

**DANGER : Laser radiation when open and interlock defeated.
AVOID DIRECT EXPOSURE TO BEAM.**

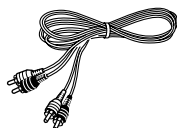


DVF-3200

ACCESSORIES / CAUTIONS

ACCESSORIES

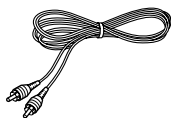
Audio cord (Red, White) ...(1)
(E30-0505-05)



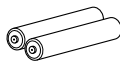
Remote control unit ...(1)
(A70-1660-08)



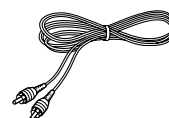
Video cable (Yellow) ...(1)
(E30-7318-05)



Batteries (R03/"AAA"-size) ...(2)



Coaxial cable (Black) ...(1)
(E30-7317-05)



CAUTIONS

Operation to reset

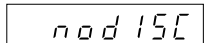
The microprocessor may fall into malfunction (impossibility to operate erroneous display, etc.) when the power cord is unplugged while power is ON or due to an external factor.

In this case, switch off the power, wait for several seconds, and then switch the power on again.

Note related to transportation and movement

Before transporting or moving this unit, carry out the following operations.

1. Set the POWER ON/OFF switch to the ON without loading a disc.
2. Wait a few seconds and verify that the display shown appears.

 (no disc)

3. Set the POWER ON/OFF switch to OFF.

Screen saver

The screen saver appears when you leave the DVD player in stop mode for about 5 minutes.

If the Screen saver is displayed for 5 minutes, the DVD player automatically turns itself off.

For the U.S.A.

CAUTION:

Use of controls or adjustments or performance of procedures other than those specified herein may result in hazardous radiation exposure.

In compliance with Federal Regulations, the following are reproductions of labels on, or inside the product relating to laser product safety.

KENWOOD CORPORATION
2967-3, ISHIKAWA-CHO,
HACHIOJI-SHI,
TOKYO, JAPAN

KENWOOD CORP. CERTIFIES THIS EQUIPMENT
CONFORMS TO DHHS REGULATIONS NO. 21 CFR
1040.10, CHAPTER 1, SUBCHAPTER J.

Location: Back Panel

Caution on condensation

Condensation (of dew) may occur inside the unit when there is a great difference in temperature between this unit and the outside. This unit may not function properly if condensation occurs. In this case, leave the unit for a few hours and restart the operation after the condensation has dried up.

Be specially cautious against condensation in the following circumstances:

When this unit is carried from one place to another across a large difference in temperature, when the humidity in the room where this unit is installed increases, etc.

Manufactured under license from Dolby Laboratories. "Dolby" and the double-D symbol are trademarks of Dolby Laboratories.

"DTS" and "DTS Digital Out" are registered trademarks of Digital Theater Systems, Inc.



DivX, DivX Certified, and associated logos are trademarks of DivX Networks, Inc. and are used under license.

The marking of products using lasers

(For countries other than U.S.A. and U.S.-Military)

CLASS 1
LASER PRODUCT

The marking this product has been classified as Class 1. It means that there is no danger of hazardous radiation outside the product.

Location: Back panel

CAUTIONS / DISASSEMBLY FOR REPAIR

CAUTIONS

For the U.S.A.

FCC WARNING

This equipment may generate or use radio frequency energy. Changes or modifications to this equipment may cause harmful interference unless the modifications are expressly approved in the instruction manual. The user could lose the authority to operate this equipment if an unauthorized change or modification is made.

NOTE:

This equipment has been tested and found to comply with the limits for a Class B digital device, pursuant to Part 15 of the FCC Rules. These limits are designed to provide reasonable protection against harmful interference in a residential installation. This equipment may cause harmful interference to radio communications, if it is not installed and used in accordance with the instructions. However, there is no guarantee that interference will not occur in a particular installation. If this equipment does cause harmful interference to radio or television reception, which can be determined by turning the equipment off and on, the user is encouraged to try to correct the interference by one or more of the following measures:

- Reorient or relocate the receiving antenna.
- Increase the separation between the equipment and receiver.
- Connect the equipment into an outlet on a circuit different from that to which the receiver is connected.
- Consult the dealer or an experienced radio / TV technician for help.

For Canada

NOTICE: This Class B digital apparatus complies with Canadian ICES-003.

DISASSEMBLY FOR REPAIR

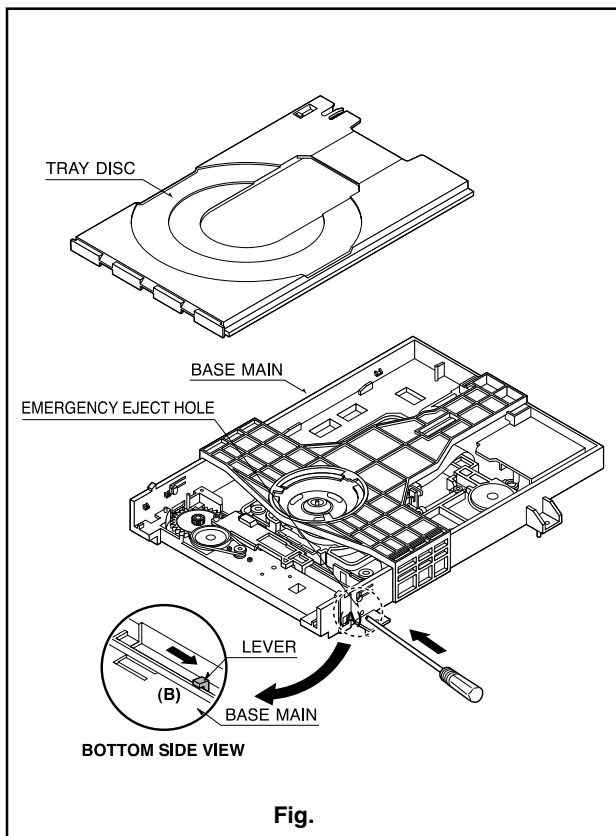


Fig.

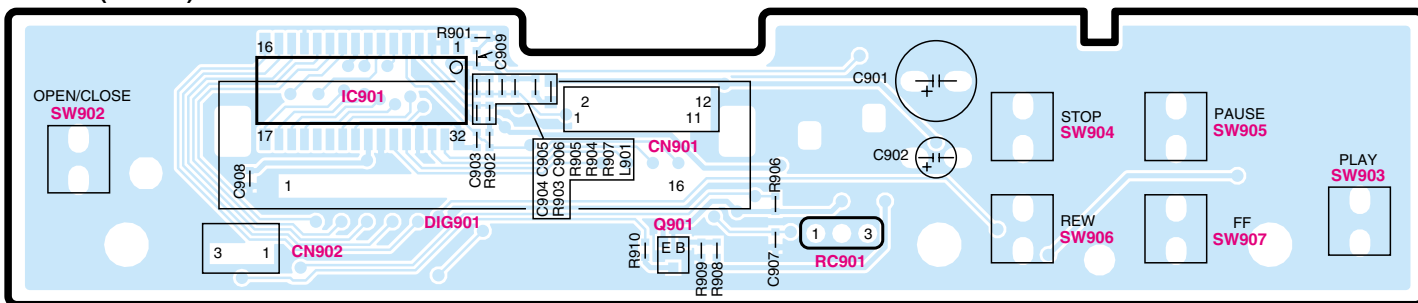
- 1) Insert and push a Driver in the emergency eject hole(A) at the right side, or put the Driver on the Lever(B) of the Gear Emergency and pull the Lever(B) in direction of arrow so that the Tray Disc is ejected about 15~20mm.
- 2) Pull the Tray Disc until it is separated from the Base Main completely.

How to Reset Parental Lock.

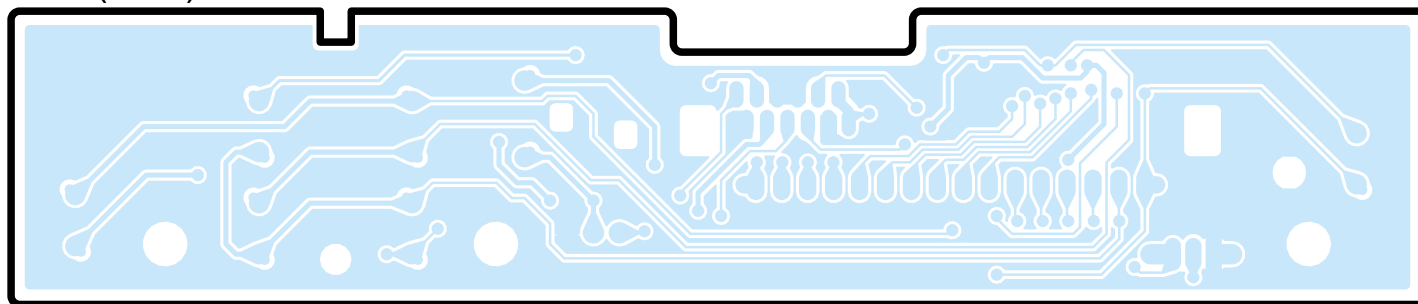
1. Connect the TV set to DVF-3200 or 3250.
2. Push the power switch of DVF-3200 or 3250 to be on.
3. Check the display of DVF-3200 or 3250 shown "NO DISC".
4. Push the "SETUP" key of remote control and TV has "set up menu"
5. Select the "16:9" on TV.
6. Push #key 1 3 9 7 1 3 9 and ENTER.
Push #key again if mistype.
7. Push the power switch of DVF-3200 or 3250 to be off.

PC BOARD

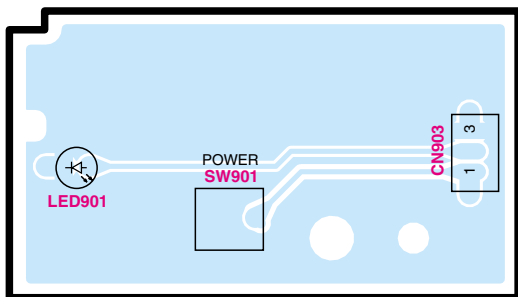
TIMER (SIDE A)



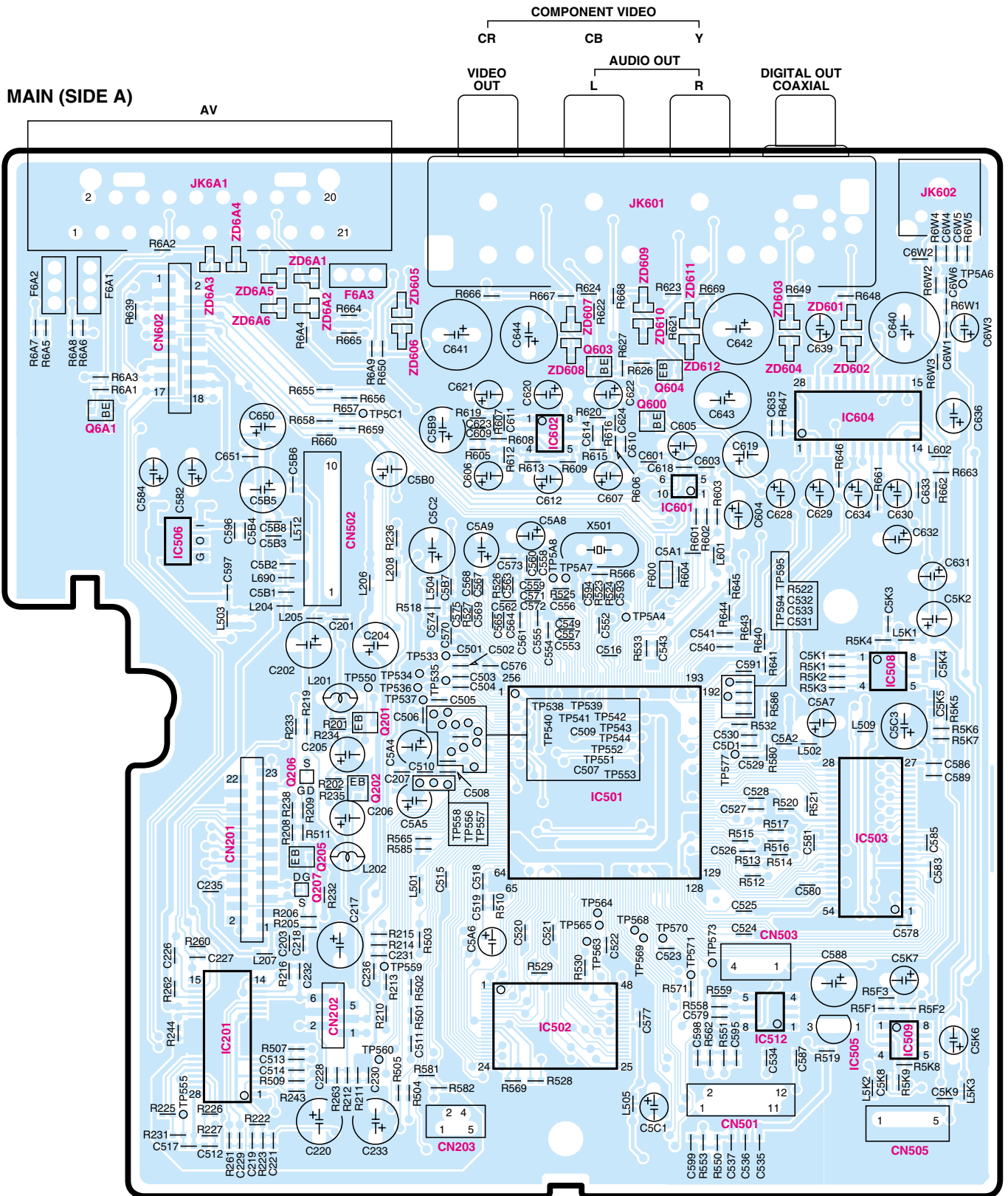
TIMER (SIDE B)



KEY



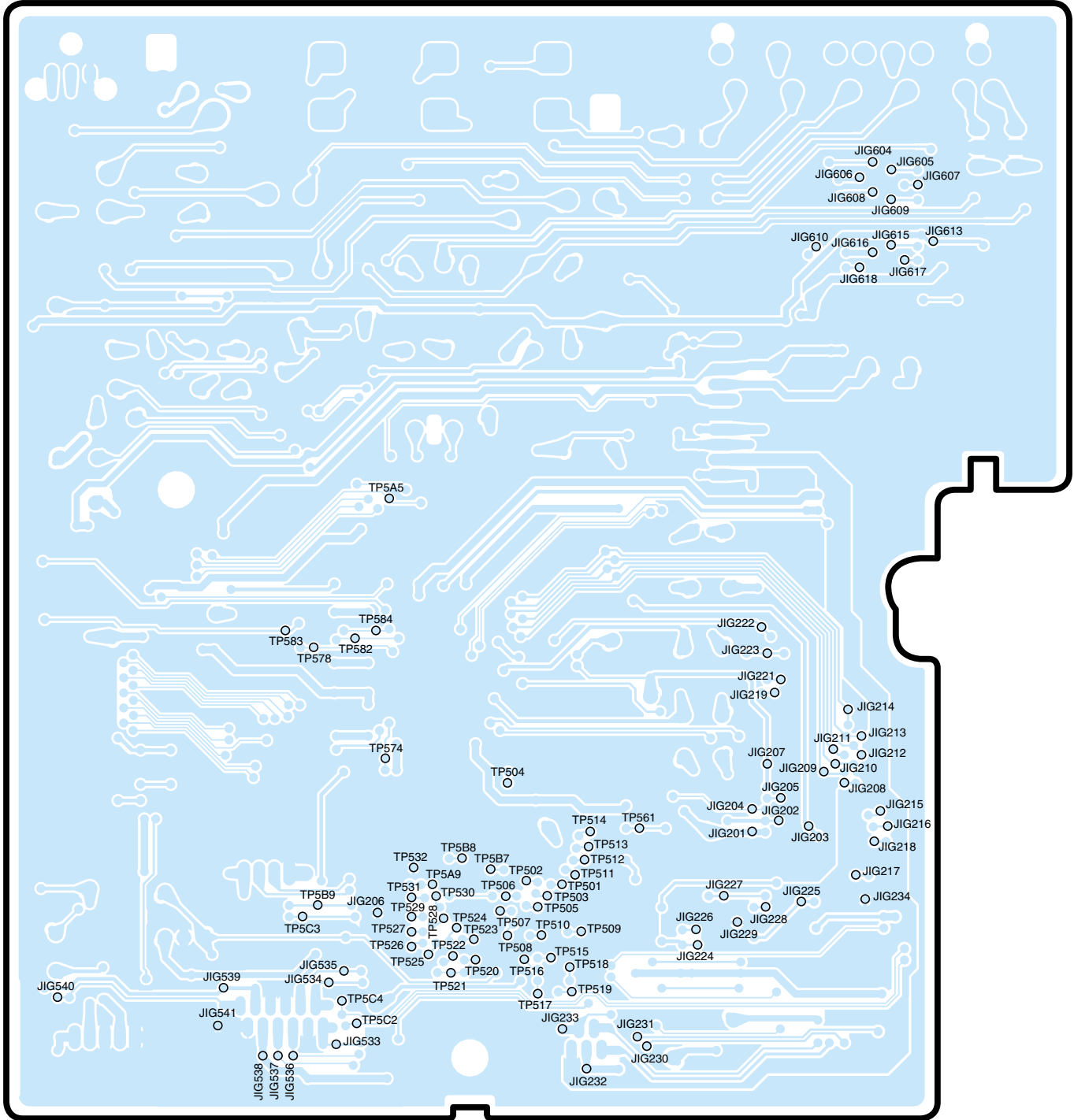
PC BOARD



Refer to the schematic diagram for the value of resistors and capacitors.

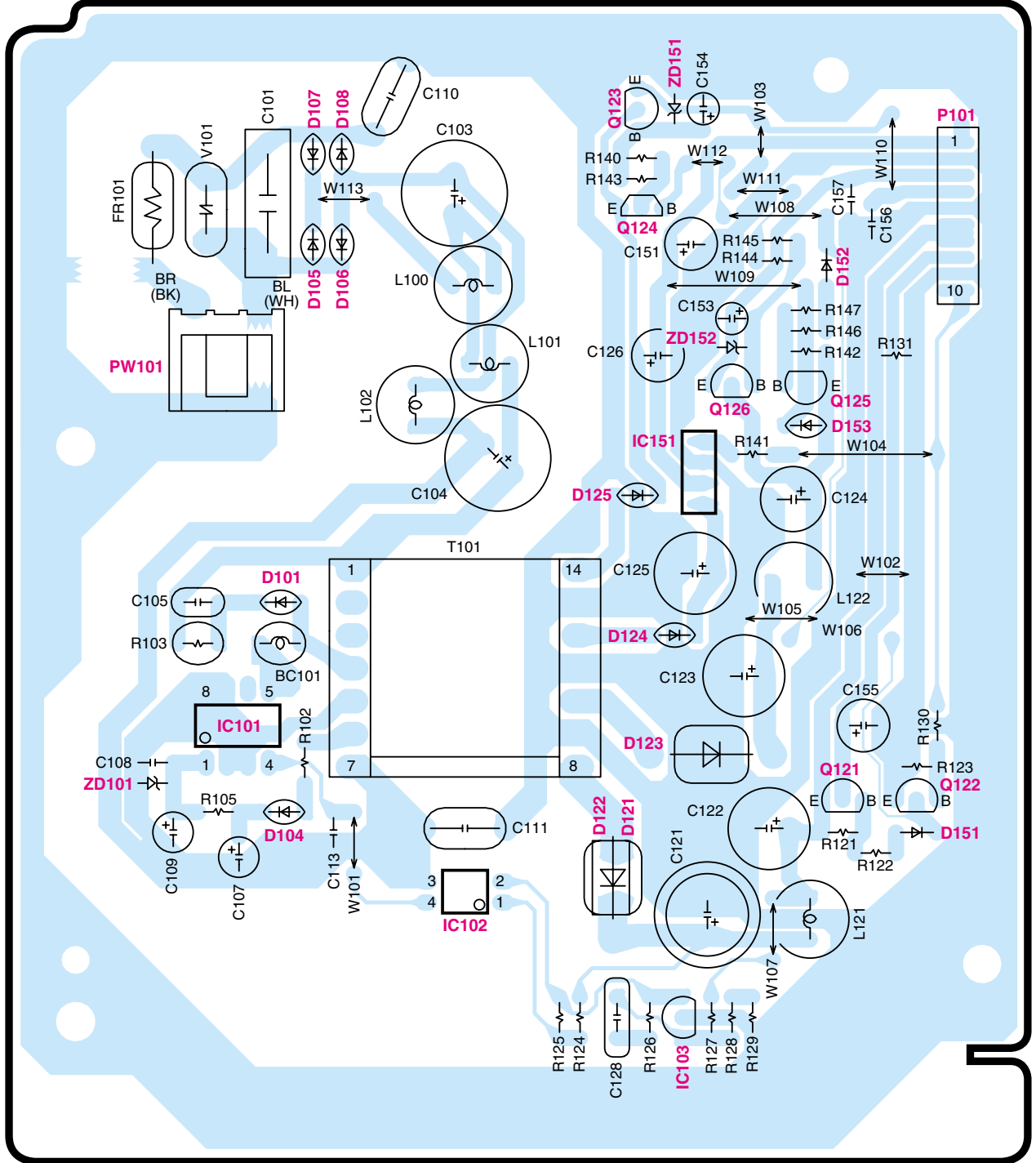
PC BOARD

MAIN (SIDE B)



PC BOARD

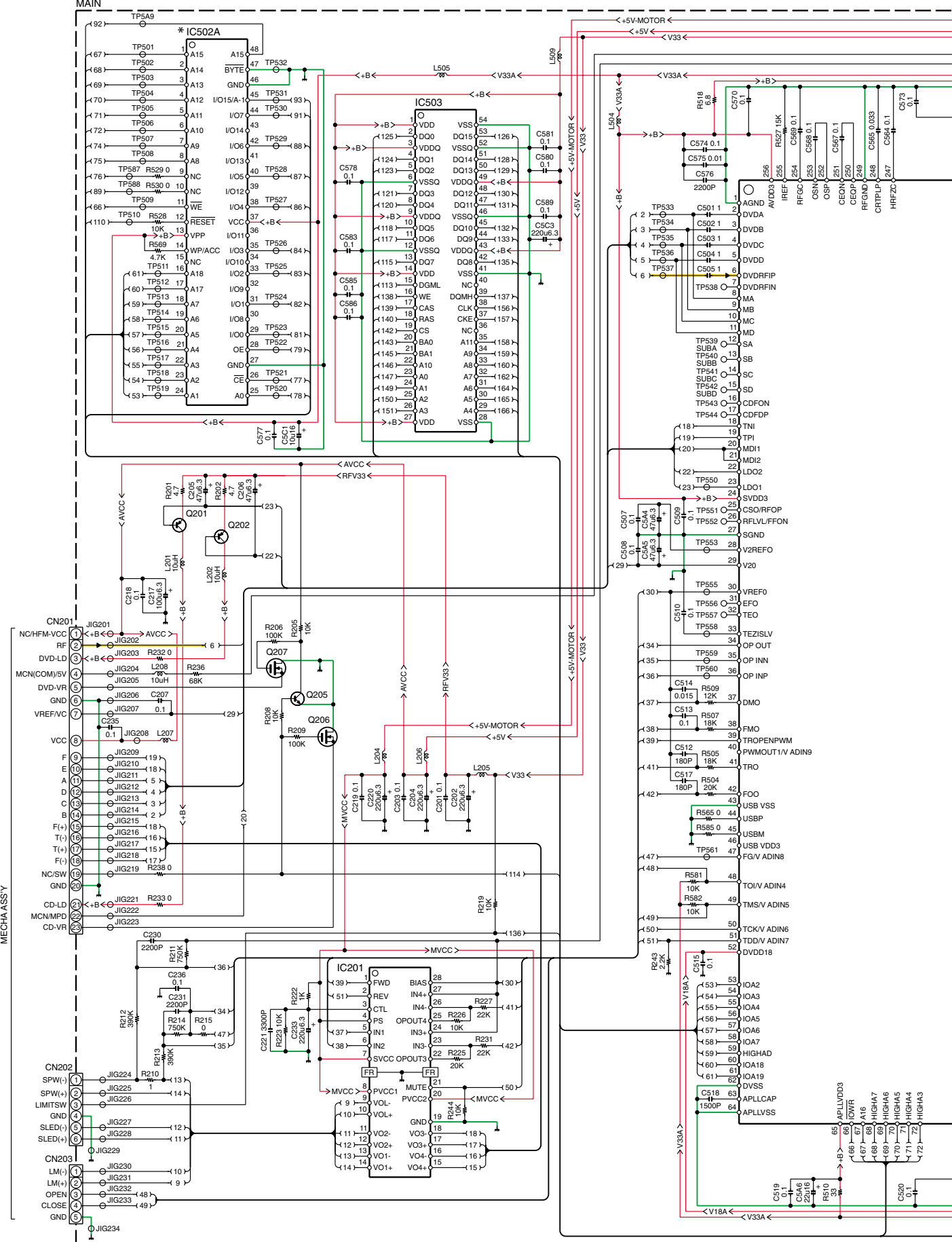
SMPS

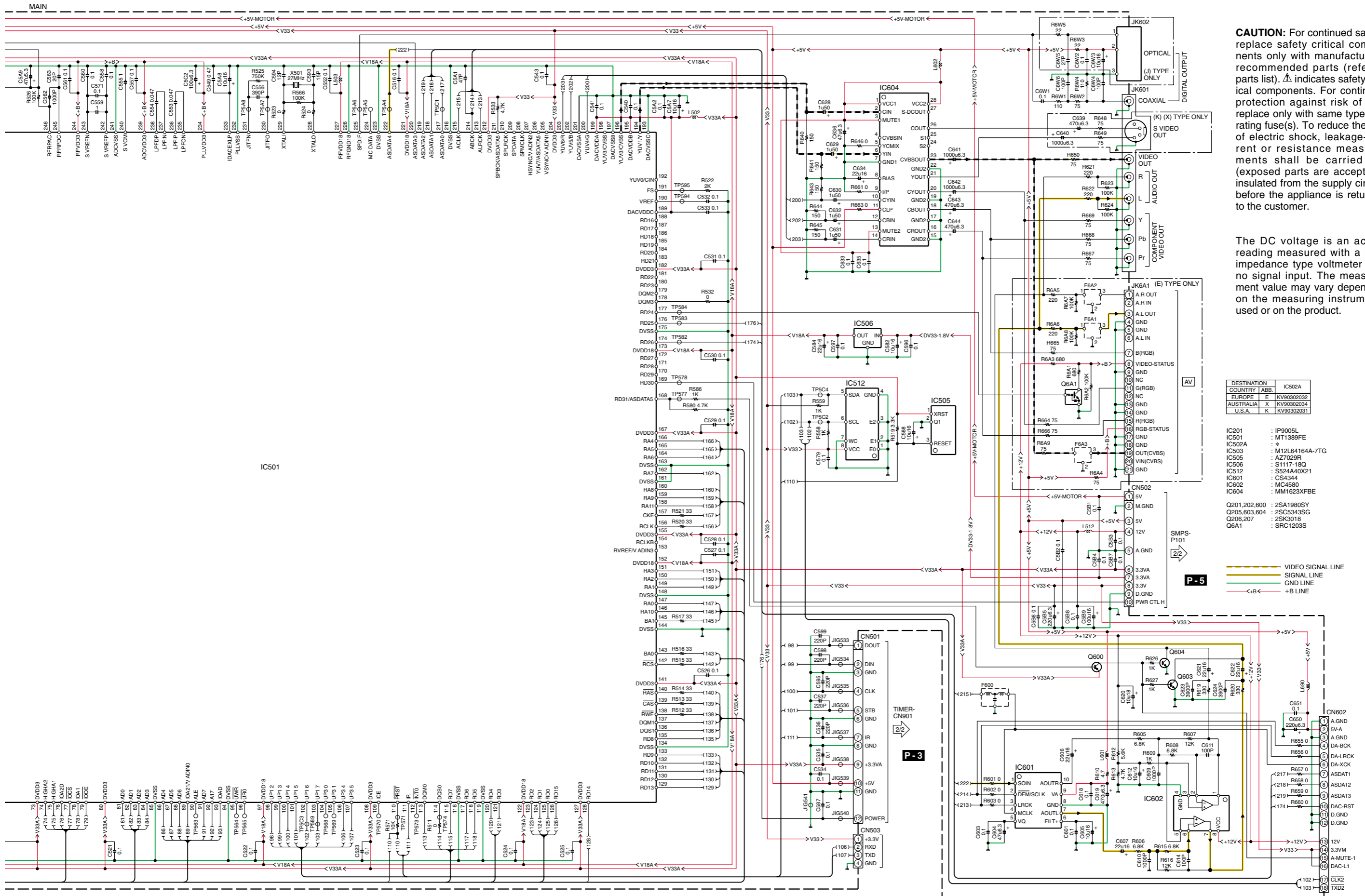


Refer to the schematic diagram for the value of resistors and capacitors.

DVF-3200

MAIN





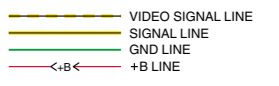
CAUTION: For continued safety, replace safety critical components only with manufacturer's recommended parts (refer to parts list). Δ indicates safety critical components. For continued protection against risk of fire, replace only with same type and rating fuse(s). To reduce the risk of electric shock, leakage-current or resistance measurements shall be carried out (exposed parts are acceptably insulated from the supply circuit) before the appliance is returned to the customer.

The DC voltage is an actual reading measured with a high impedance type voltmeter with no signal input. The measurement value may vary depending on the measuring instruments used or on the product.

DESTINATION	COUNTRY	ABB.	IC502A
EUROPE	E		KV90302032
AUSTRALIA	X		KV90302034
U.S.A.	K		KV90302031

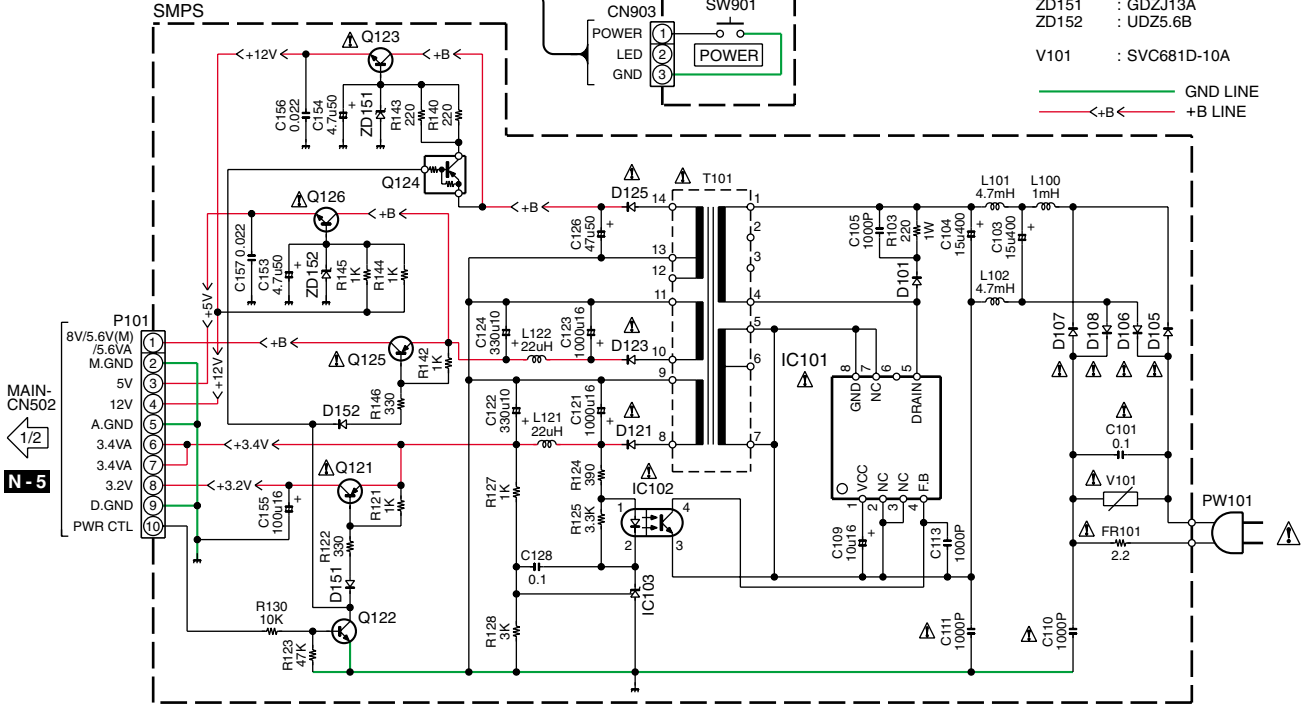
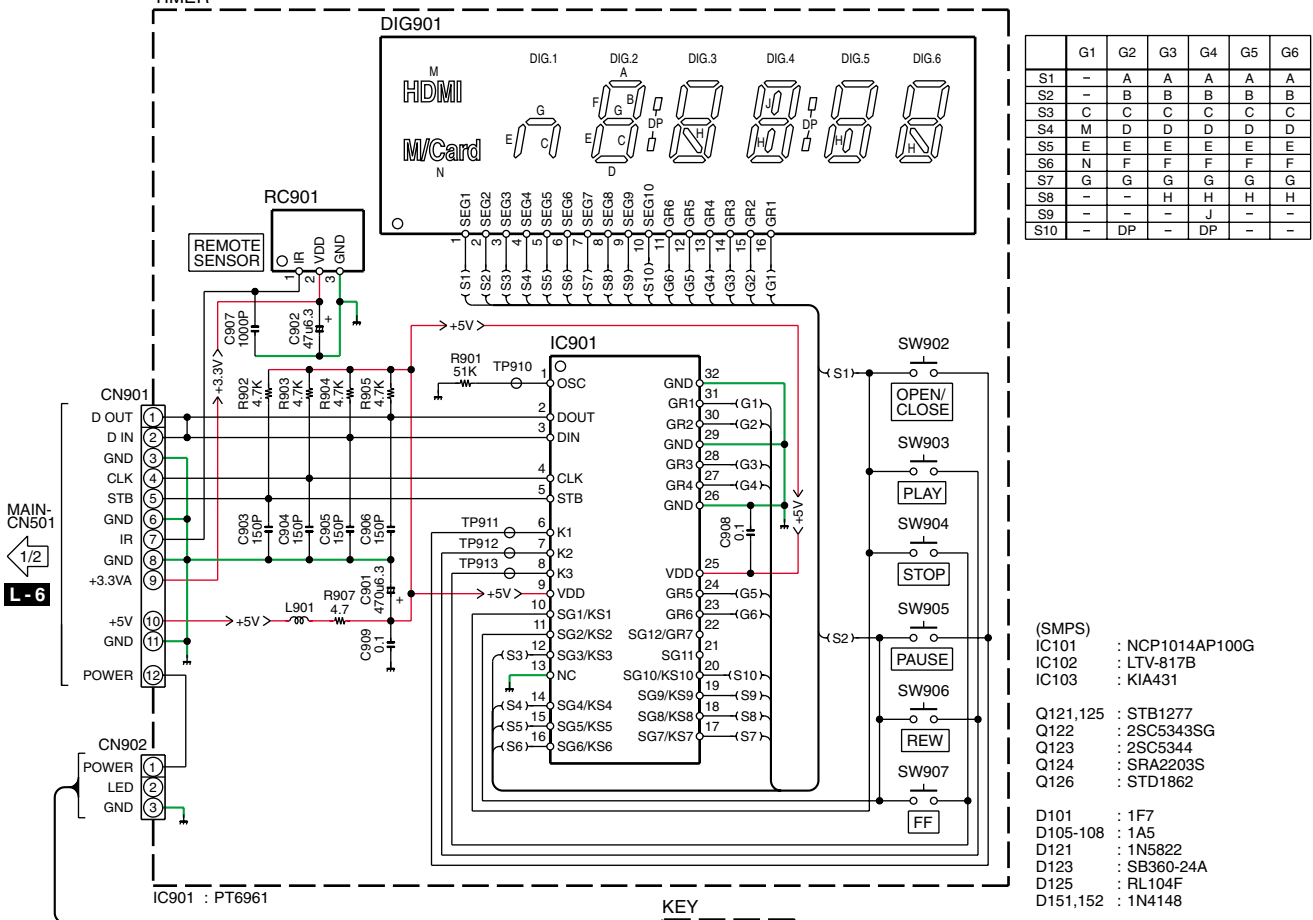
- IC201 : IP9005L
- IC501 : MT1389FE
- IC502A : *
- IC503 : M12L64164A-7TG
- IC505 : AZ7029R
- IC506 : S1117-18Q
- IC512 : S24A40X21
- IC601 : CS4344
- IC602 : MC4580
- IC604 : MM1623XFBE

- Q201,202,600 : 2SA1980SY
- Q205,603,604 : 2SC5343SG
- Q206,207 : 2SK3018
- Q6A1 : SRC1203S



DVF-3200

TIMER



- (SMPS)
- IC101 : NCP1014AP100G
 - IC102 : LTV-817B
 - IC103 : KIA431
- Q121, 125 : STB1277
 Q122 : 2SC5343SG
 Q123 : 2SC5344
 Q124 : SRA2203S
 Q126 : STD1862
- D101 : 1F7
 D105-108 : 1A5
 D121 : 1N5822
 D123 : SB360-24A
 D125 : RL104F
 D151, 152 : 1N4148
- ZD151 : GDZJ13A
 ZD152 : UDZ5.6B
- V101 : SVC681D-10A

— GND LINE
 —<+B—> +B LINE

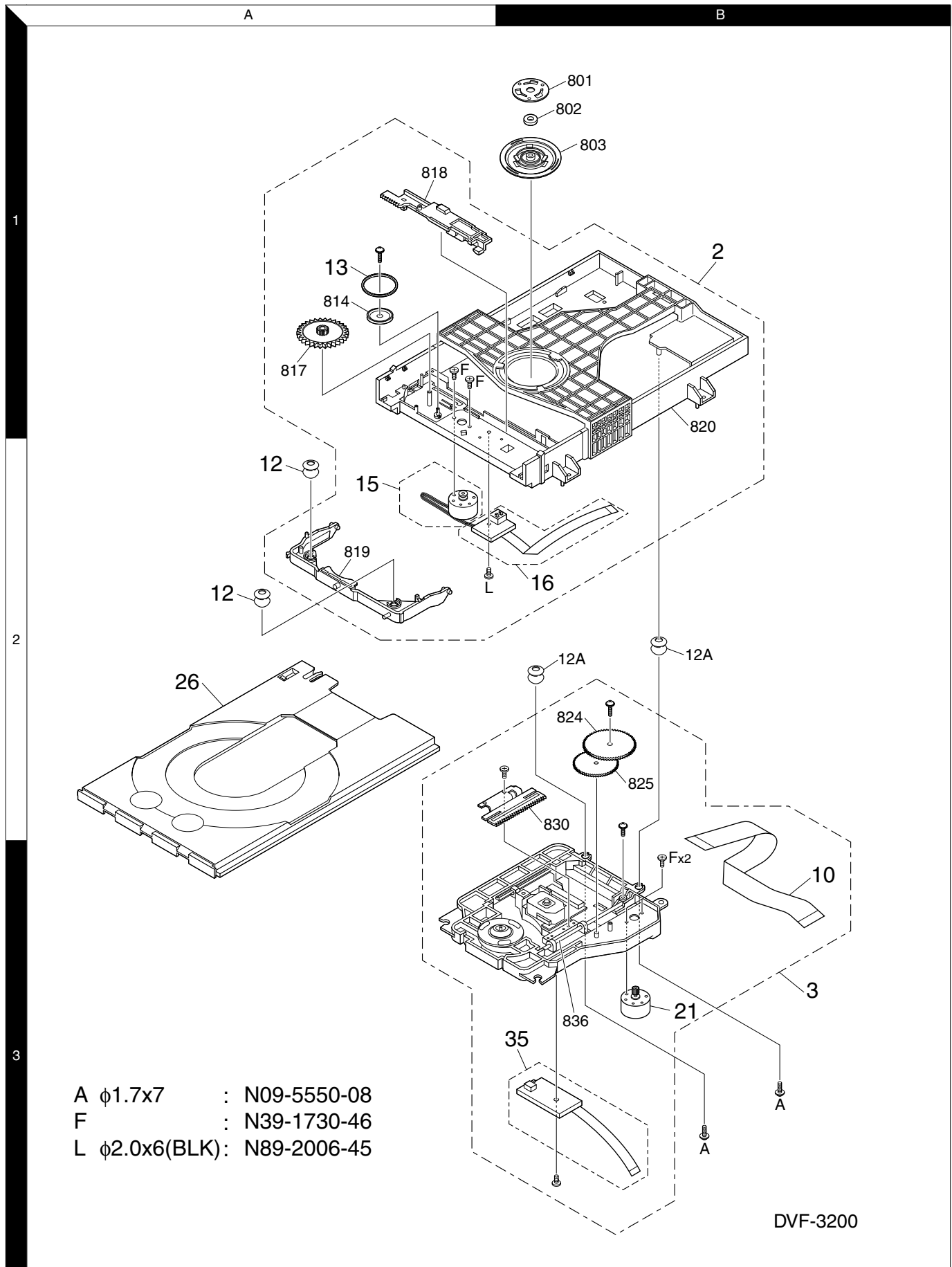
DVF-3200 (2/2)

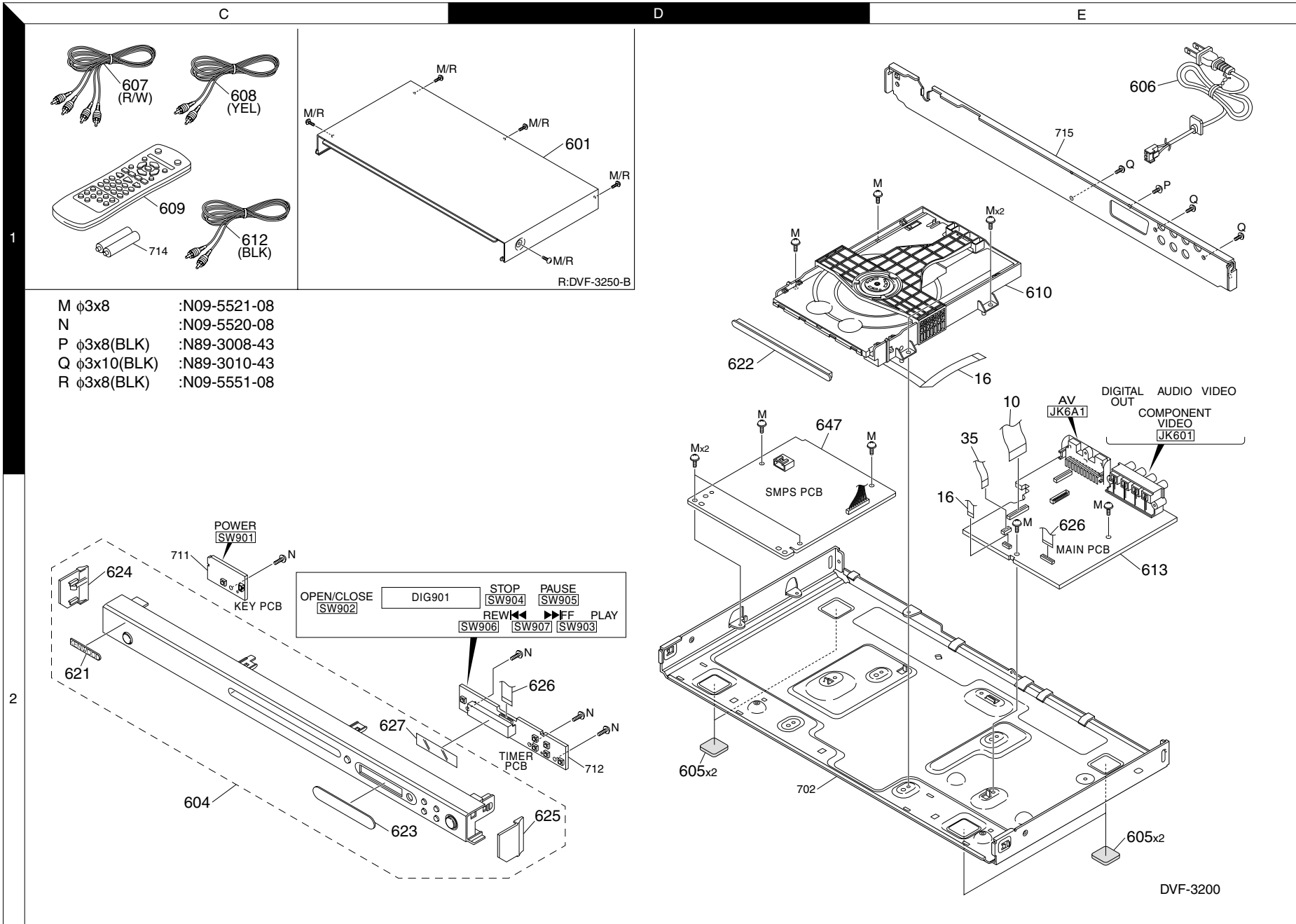
CAUTION: For continued safety, replace safety critical components only with manufacturer's recommended parts (refer to parts list). Δ indicates safety critical components. For continued protection against risk of fire, replace only with same type and rating fuse(s). To reduce the risk of electric shock, leakage-current or resistance measurements shall be carried out (exposed parts are acceptably insulated from the supply circuit) before the appliance is returned to the customer.

The DC voltage is an actual reading measured with a high impedance type voltmeter with no signal input. The measurement value may vary depending on the measuring instruments used or on the product.

DVF-3200

EXPLODED VIEW (MECHANISM)





Parts with exploded numbers larger than 700 are not supplied.

* New Parts
Parts without **Parts No.** are not supplied.
Les articles non mentionnés dans le **Parts No.** ne sont pas fournis.
Teile ohne **Parts No.** werden nicht geliefert.

1

Ref. No	Add-ress	New Parts	Parts No.	Description	Desti-nation	Re-marks
DVF-3200						
-		*	B60-5580-08	INSTRUCTION AS 3835RD0026K	KKBKS	
-		*	B60-5581-08	INSTRUCTION AS 3835RD0026L	EES	
-		*	B60-5582-08	INSTRUCTION AS 3835RD0026M	EB	
-		*	B60-5583-08	INSTRUCTION AS 3835RD0026N	XXS	
601	1D	*	A09-1312-08	CASE 3110R-D023A	KEX	
601	1D	*	A09-1312-08	CASE 3110R-D023A	KSESXS	
601	1D	*	A09-1313-08	CASE 3110R-D023E	KBEB	
604	2C	*	A60-2435-08	PANEL ASSEMBLY 3501RF0525D	K	
604	2C	*	A60-2436-08	PANEL ASSEMBLY 3501RF0525A	EX	
604	2C	*	A60-2437-08	PANEL ASSEMBLY 3501RF0525E	KB	
604	2C	*	A60-2438-08	PANEL ASSEMBLY 3501RF0525B	EB	
604	2C	*	A60-2439-08	PANEL ASSEMBLY 3501RF0525F	KS	
604	2C	*	A60-2440-08	PANEL ASSEMBLY 3501RF0525C	ESXS	
605	2D,2E	*	G11-2970-08	RUBBER 5040R-0069Q		
606	1E	*	E30-7319-08	AC CORD 6410RAHX03A	KKBKS	
606	1E	*	E30-7320-08	AC CORD 6410RCHX03A	EEBES	
606	1E	*	E30-7331-08	AC CORD 6410RKHV03A	XXS	
607	1C	*	E30-0505-05	AV CORD(R/W) 6850R-PBA8H		
608	1C	*	E30-7318-05	AV CORD(YEL) 6850R-PA2E		
609	1C	*	A70-1660-08	REMOCON 6711R1N166A		
610	1E	*	D40-1850-08	DECK ASSEMBLY 6721RHD040A		
612	1C	*	E30-7317-05	AV CORD(COX) 6850R-PAA8F		
613	2E	*	W02-4622-08	SUB PWB(PCB) 6885R-1038U	K	
613	2E	*	W02-4623-08	SUB PWB(PCB) 6885R-1039Q	E	
613	2E	*	W02-4624-08	SUB PWB(PCB) 6885R-1040Q	X	
613	2E	*	W02-4625-08	SUB PWB(PCB) 6885R-1039S	KB	
613	2E	*	W02-4626-08	SUB PWB(PCB) 6885R-1040N	EB	
613	2E	*	W02-4627-08	SUB PWB(PCB) 6885R-1039T	KS	
613	2E	*	W02-4628-08	SUB PWB(PCB) 6885R-1040P	ES	
613	2E	*	W02-4629-08	SUB PWB(PCB) 6885R-1040R	XS	
621	1C	*	B43-0336-04	BADGE		
622	1D	*	A29-1246-08	DOOR 3580R-T181A	KEX	
622	1D	*	A29-1247-08	DOOR 3580R-T181B	KBEB	
622	1D	*	A29-1248-08	DOOR 3580R-T181C	KSESXS	
623	2C	*	B11-1620-08	WINDOW,DECO 3790R-F101A		
624	2C	*	B07-2725-08	COVER L 3550R-1032A	KEX	
624	2C	*	B07-2727-08	COVER L 3550R-1032B	KBEB	
624	2C	*	B07-2729-08	COVER L 3550R-1032C	KSESXS	
625	2D	*	B07-2724-08	COVER R 3550R-1031A	KEX	
625	2D	*	B07-2726-08	COVER R 3550R-1031B	KBEB	
625	2D	*	B07-2728-08	COVER R 3550R-1031C	KSESXS	
626	2D,2E	*	E35-3781-08	CABLE,FLAT 6850R-GL12F		
627	2C	*	B10-5581-08	WINDOW,DECO 3790R-P107A		
647	1D	*	W02-4630-08	PWB(PCB) ASSEM 6871R-2322A		
M	463		N09-5521-08	SCREW,DRAWING 353-051G		
N	452		N09-5520-08	SCREW,DRAWING 353-051A		
P	467		N89-3008-43	SCREW,DRAWING 353-046N		
Q	465		N89-3010-43	SCREW,DRAWING 353-046K		
R	463	*	N09-5551-08	SCREW,DRAWING 353-051H	KBEB	
ELECTRIC PARTS						
DIG901		*	B38-0278-08	LED ASSEMBLY T 6301R2U014B		
C5B0			CD04AS0J470M	ELECTRO 47UF 6.3WV		

L : Scandinavia K : USA P : Canada R : Mexico C : China I : Malaysia
Y : PX(Far East,Hawaii) T : England E : Europe G : Germany V : China(Shanghai)
A : AAFES(Europe) X : Australia Q : Russia H : Korea M : Other Areas ⚠ indicates safety critical components .

* New Parts
Parts without **Parts No.** are not supplied.
Les articles non mentionnés dans le **Parts No.** ne sont pas fournis.
Teile ohne **Parts No.** werden nicht geliefert.

2

Ref. No	Add-ress	New Parts	Parts No.	Description	Desti-nation	Re-marks
C5A1			CC73GCH1H470J	CHIP C 47PF J		
C5B1-4			CK73GB1H104K	CHIP C 0.10UF K		
C5C1			CD04AT1C100M	ELECTRO 10UF 16WV		
C5A2			CK73GB1H104K	CHIP C 0.10UF K		
C5C2			CD04AS0J101M	ELECTRO 100UF 6.3WV		
C5C3			CD04AT1A221M	ELECTRO 220UF 10WV		
C5A4,5			CD04AS0J470M	ELECTRO 47UF 6.3WV		
C5B5			CD04AT1A221M	ELECTRO 220UF 10WV		
C5A6			CD04AT1C220M	ELECTRO 22UF 16WV		
C5B6-8			CK73GB1H104K	CHIP C 0.10UF K		
C5A7,8			CD04AT1C100M	ELECTRO 10UF 16WV		
C5A9			CD04AS0J470M	ELECTRO 47UF 6.3WV		
C5B9			CD04AT1C101M	ELECTRO 100UF 16WV		
C6W1			CK73GB1H104K	CHIP C 0.10UF K		
C6W4			CC73GCH1H101J	CHIP C 100PF J		
C6W6			CC73GCH1H101J	CHIP C 100PF J		
C101		*	C91-1714-08	FILM 0.1UF K		
C103,104		*	C90-5841-08	ELECTRO 15UF 400WV		
C105		*	C91-1717-08	CERAMIC 1000PF 1KWV		
C109		*	CD04AT1C100M	ELECTRO 10UF 16WV		
C110,111		*	C91-1695-08	CAPACITO 1000PF 400WV		
C113		*	C91-1715-08	CERAMIC 1000PF K		
C121		*	C90-5803-15	ELECTRO 1000UF 16WV		
C122		*	CD04AR1C331M	ELECTRO 330UF 16WV		
C123		*	C90-5803-15	ELECTRO 1000UF 16WV		
C124		*	CD04AR1C331M	ELECTRO 330UF 16WV		
C126		*	CD04AR1H470M	ELECTRO 47UF 50WV		
C128		*	C90-5842-08	FILM 0.1UF J		
C153,154		*	CD04AT1H4R7M	ELECTRO 4.7UF 50WV		
C155		*	CD04AT1C101M	ELECTRO 100UF 16WV		
C156,157		*	C91-1716-08	CERAMIC 0.022UF Z		
C201			CK73GB1H104K	CHIP C 0.10UF K		
C202			CD04AT1A221M	ELECTRO 220UF 10WV		
C203			CK73GB1H104K	CHIP C 0.10UF K		
C204			CD04AT1A221M	ELECTRO 220UF 10WV		
C205,206			CD04AS0J470M	ELECTRO 47UF 6.3WV		
C207			CK73GB1H104K	CHIP C 0.10UF K		
C217			CD04AS0J101M	ELECTRO 100UF 6.3WV		
C218,219			CK73GB1H104K	CHIP C 0.10UF K		
C220			CD04AT1A221M	ELECTRO 220UF 10WV		
C221			CK73GB1H332K	CHIP C 3300PF K		
C230,231			CK73GB1H222K	CHIP C 2200PF K		
C233			CD04AT1A221M	ELECTRO 220UF 10WV		
C235,236			CK73GB1H104K	CHIP C 0.10UF K		
C501-505			CK73GB1A105K	CHIP C 1.0UF K		
C507-510			CK73GB1H104K	CHIP C 0.10UF K		
C512			CC73GCH1H181J	CHIP C 180PF J		
C513			CK73GB1H104K	CHIP C 0.10UF K		
C514			CK73GB1H153K	CHIP C 0.015UF K		
C515,516			CK73GB1H104K	CHIP C 0.10UF K		
C517			CC73GCH1H181J	CHIP C 180PF J		
C518			CK73GB1H152K	CHIP C 1500PF K		
C519-535			CK73GB1H104K	CHIP C 0.10UF K		
C536,537			CC73GCH1H221J	CHIP C 220PF J		
C540,541			CK73GB1H104K	CHIP C 0.10UF K		

L : Scandinavia K : USA P : Canada R : Mexico C : China I : Malaysia
Y : PX(Far East,Hawaii) T : England E : Europe G : Germany V : China(Shanghai)
A : AAFES(Europe) X : Australia Q : Russia H : Korea M : Other Areas ⚠ indicates safety critical components .

* New Parts

Parts without **Parts No.** are not supplied.

Les articles non mentionnés dans le **Parts No.** ne sont pas fournis.

Teile ohne **Parts No.** werden nicht geliefert.



Ref. No	Add-ress	New Parts	Parts No.	Description	Desti-nation	Re-marks
C543			CK73GB1H104K	CHIP C 0.10UF K		
C549			CK73GB1A474K	CHIP C 0.47UF K		
C552			CK73GB1H104K	CHIP C 0.10UF K		
C553,554			CK73GB1H473K	CHIP C 0.047UF K		
C555			CK73GB1A105K	CHIP C 1.0UF K		
C556			CC73GCH1H391J	CHIP C 390PF J		
C557,558			CK73GB1H104K	CHIP C 0.10UF K		
C559			CK73GB1A105K	CHIP C 1.0UF K		
C560,561			CK73GB1H104K	CHIP C 0.10UF K		
C562			CK73GB1H102K	CHIP C 1000PF K		
C563			CC73GCH1H200J	CHIP C 20PF J		
C564			CK73GB1H104K	CHIP C 0.10UF K		
C565			CK73GB1H333K	CHIP C 0.033UF K		
C567-571			CK73GB1H104K	CHIP C 0.10UF K		
C573,574			CK73GB1H104K	CHIP C 0.10UF K		
C575			CK73GB1H103K	CHIP C 0.010UF K		
C576			CK73GB1H222K	CHIP C 2200PF K		
C577-581			CK73GB1H104K	CHIP C 0.10UF K		
C582			CD04AT1C100M	ELECTRO 10UF 16WV		
C583			CK73GB1H104K	CHIP C 0.10UF K		
C584			CD04AT1C220M	ELECTRO 22UF 16WV		
C585-587			CK73GB1H104K	CHIP C 0.10UF K		
C588			CD04AT1C100M	ELECTRO 10UF 16WV		
C589			CK73GB1H104K	CHIP C 0.10UF K		
C593			CC73GCH1H150J	CHIP C 15PF J		
C594			CC73GCH1H120J	CHIP C 12PF J		
C595			CC73GCH1H221J	CHIP C 220PF J		
C596,597			CK73GB1H104K	CHIP C 0.10UF K		
C598,599			CC73GCH1H221J	CHIP C 220PF J		
C601			CK73GB1H104K	CHIP C 0.10UF K		
C603			CK73GB1H104K	CHIP C 0.10UF K		
C604			CD04AS0J470M	ELECTRO 47UF 6.3WV		
C605			CD04AT1C100M	ELECTRO 10UF 16WV		
C606,607			CD04AT1C220M	ELECTRO 22UF 16WV		
C609,610			CK73GB1H102K	CHIP C 1000PF K		
C611			CC73GCH1H101J	CHIP C 100PF J		
C612			CD04AT1C100M	ELECTRO 10UF 16WV		
C614			CC73GCH1H101J	CHIP C 100PF J		
C618			CK73GB1H104K	CHIP C 0.10UF K		
C619			CD04AR1C471M	ELECTRO 470UF 16WV		
C620			CD04AT1C100M	ELECTRO 10UF 16WV		
C621,622			CD04AT1C220M	ELECTRO 22UF 16WV		
C623,624			CK73GB1H392K	CHIP C 3900PF K		
C628-632			CD04AT1H010M	ELECTRO 1UF 50WV		
C633			CK73GB1H104K	CHIP C 0.10UF K		
C634			CD04AT1C220M	ELECTRO 22UF 16WV		
C635			CK73GB1H104K	CHIP C 0.10UF K		
C636			CD04AS0J470M	ELECTRO 47UF 6.3WV		
C639			CD04AR1C471M	ELECTRO 470UF 16WV		XXS
C639			CD04AR1C471M	ELECTRO 470UF 16WV		KKBKS
C640			CD04AR1C102M	ELECTRO 1000UF 16WV		KKBKS
C640			CD04BJ0J102M	ELECTRO 1000UF 6.3WV		XXS
C641,642			CD04AR0J102M	ELECTRO 1000UF 6.3WV		
C643,644			CD04AR1C471M	ELECTRO 470UF 16WV		
C650			CD04AT1A221M	ELECTRO 220UF 10WV		

L : Scandinavia K : USA P : Canada R : Mexico C : China I : Malaysia
 Y : PX(Far East,Hawaii) T : England E : Europe G : Germany V : China(Shanghai)
 Y : AAFES(Europe) X : Australia Q : Russia H : Korea M : Other Areas Δ indicates safety critical components .

* New Parts

Parts without **Parts No.** are not supplied.

Les articles non mentionnés dans le **Parts No.** ne sont pas fournis.

Teile ohne **Parts No.** werden nicht geliefert.



Ref. No	Add-ress	New Parts	Parts No.	Description	Desti-nation	Re-marks
C651			CK73GB1H104K	CHIP C 0.10UF K		
C901		*	CD04AS0J221M	ELECTRO 220UF 6.3WV		
C902			CD04AS0J470M	ELECTRO 47UF 6.3WV		
C903-906			CC73GCH1H151J	CHIP C 150PF J		
C907			CK73GB1H102K	CHIP C 1000PF K		
C908,909			CK73GB1H104K	CHIP C 0.10UF K		
CN201			E41-1411-08	CONNECTOR, FFC 6630XE00123		
CN202		*	E41-1583-08	CONNECTOR, FFC 6630XE00106		
CN203		*	E41-1581-08	CONNECTOR, FFC 6630R-FB10E		
CN501		*	E41-1582-08	CONNECTOR, FFC 6630R-FB10L		
CN901		*	E41-1112-05	CONNECTOR, FFC 6630R-FB05L		
JK6A1		*	E58-0081-08	JACK, SCART RGB 6612M00003B		EEBES
JK601			E63-1355-08	JACK, RCA RCA-7 6612J00044B		KKBKS
JK601			E63-1355-08	JACK, RCA RCA-7 6612J00044B		XXS
JK601			E63-1356-08	JACK, RCA RCA-7 6612J00044E		EEBES
F6A1-3			L72-0647-08	FILTER, EMC CF 6200HJC901A		EEBES
F600			L79-1305-08	FILTER, EMC LF 6200JB8010V		
L100		*	L33-1732-08	COIL, RF OWA 65 6140RCC003K		
L101,102		*	L33-1731-08	COIL, RF 4.7 MH 6140RCC003J		
L121,122		*	L33-1730-08	COIL, RF CHOKE 6140R-C011A		
L201,202			L33-1686-08	INDUCTOR, RADIA 0LR0102J025		
L204-207			L92-0582-08	FILTER(CIRC),E 6200HJC102A		
L208		*	L92-0836-08	INDUCTOR, CHIP 0LCCE00004E		
L502-505			L92-0582-08	FILTER(CIRC),E 6200HJC102A		
L509			L92-0582-08	FILTER(CIRC),E 6200HJC102A		
L512			L92-0582-08	FILTER(CIRC),E 6200HJC102A		
L601,602			L92-0582-08	FILTER(CIRC),E 6200HJC102A		
L690			L92-0582-08	FILTER(CIRC),E 6200HJC102A		
L901			L92-0582-08	FILTER(CIRC),E 6200HJC102A		
Δ T101		*	L07-3330-08	TRANSFORMER, SM 6170RNGW05N		
X501		*	L77-2453-08	RESONATOR, CRYST 6212AA2270G		
Δ FR101		*	R92-4678-08	RESISTOR, VARIA 0RF0221K634		
R6A1			RK73GB2A681J	CHIP R 680 J 1/10W		EEBES
R6W1			RK73GB2A111J	CHIP R 110 J 1/10W		
R6A2			RK73GB2A104J	CHIP R 100K J 1/10W		EEBES
R6W2			RK73GB2A750J	CHIP R 75 J 1/10W		
R6A3			RK73GB1J681J	CHIP R 680 J 1/16W		EEBES
R6A4			RK73GB2A750J	CHIP R 75 J 1/10W		EEBES
R6W4			RK73GB2A111J	CHIP R 110 J 1/10W		
R6A5,6			RK73GB2A221J	CHIP R 220 J 1/10W		EEBES
R6A7,8			RK73GB2A104J	CHIP R 100K J 1/10W		EEBES
R6A9			RK73GB2A750J	CHIP R 75 J 1/10W		EEBES
R103		*	R92-4679-08	RS 220K J 1W		
R126			-	JUMPER WIRE 874-000T		
R127			RN14BK2C1001F	RN 1.00K F 1/6W		
R128			RN14BK2C3001F	RN 3.00K F 1/6W		
R129			-	JUMPER WIRE 874-000T		
R201,202			RK73GB2A4R7J	CHIP R 4.7 J 1/10W		
R205			RK73GB2A103J	CHIP R 10K J 1/10W		
R206			RK73GB2A104J	CHIP R 100K J 1/10W		
R208			RK73GB2A103J	CHIP R 10K J 1/10W		
R209			RK73GB2A104J	CHIP R 100K J 1/10W		
R210			RK73FB2B1R0J	CHIP R 1 J 1/8W		

L : Scandinavia K : USA P : Canada R : Mexico C : China I : Malaysia
 Y : PX(Far East,Hawaii) T : England E : Europe G : Germany V : China(Shanghai)
 Y : AAFES(Europe) X : Australia Q : Russia H : Korea M : Other Areas Δ indicates safety critical components .

PARTS LIST

DVF-3200

* New Parts

Parts without **Parts No.** are not supplied.Les articles non mentionnés dans le **Parts No.** ne sont pas fournis.Teile ohne **Parts No.** werden nicht geliefert.

5

Ref. No	Add-ress	New Parts	Parts No.	Description	Desti-nation	Re-marks
R211			RK73GB2A754J	CHIP R 750K J 1/10W		
R212,213			RK73GB2A394J	CHIP R 390K J 1/10W		
R214			RK73GB2A754J	CHIP R 750K J 1/10W		
R215			RK73GB2A000J	CHIP R 0 J 1/10W		
R219			RK73GB2A103J	CHIP R 10K J 1/10W		
R222			RK73GB2A102J	CHIP R 1.0K J 1/10W		
R223			RK73GB2A103J	CHIP R 10K J 1/10W		
R225			RK73GB2A203J	CHIP R 20K J 1/10W		
R226			RK73GB2A103J	CHIP R 10K J 1/10W		
R227			RK73GB2A223J	CHIP R 22K J 1/10W		
R231			RK73GB2A223J	CHIP R 22K J 1/10W		
R232,233			RK73GB2A000J	CHIP R 0 J 1/10W		
R236			RK73GB2A683J	CHIP R 68K J 1/10W		
R238			RK73GB2A000J	CHIP R 0 J 1/10W		
R243			RK73GB2A222J	CHIP R 2.2K J 1/10W		
R244			RK73GB2A103J	CHIP R 10K J 1/10W		
R504			RK73GB2A203J	CHIP R 20K J 1/10W		
R505			RK73GB2A183J	CHIP R 18K J 1/10W		
R507			RK73GB2A183J	CHIP R 18K J 1/10W		
R509			RK73GB2A123J	CHIP R 12K J 1/10W		
R510			RK73GB2A330J	CHIP R 33 J 1/10W		
R511			RK73GB2A000J	CHIP R 0 J 1/10W		
R512-517			RK73GB2A330J	CHIP R 33 J 1/10W		
R518			RK73GB2A6R8J	CHIP R 6.8 J 1/10W		
R519			RK73GB2A332J	CHIP R 3.3K J 1/10W		
R520,521			RK73GB2A330J	CHIP R 33 J 1/10W		
R522			RK73GB2A202J	CHIP R 2.0K J 1/10W		
R523,524			RK73GB2A000J	CHIP R 0 J 1/10W		
R525			RK73GB2A754J	CHIP R 750K J 1/10W		
R526			RK73GB2A104J	CHIP R 100K J 1/10W		
R527			RK73GB2A153J	CHIP R 15K J 1/10W		
R528			RK73GB2A103J	CHIP R 10K J 1/10W		
R529,530			RK73GB2A000J	CHIP R 0 J 1/10W		
R532			RK73GB2A000J	CHIP R 0 J 1/10W		
R533			RK73GB2A472J	CHIP R 4.7K J 1/10W		
R558,559			RK73GB2A102J	CHIP R 1.0K J 1/10W		
R565			RK73GB2A000J	CHIP R 0 J 1/10W		
R566			RK73GB2A104J	CHIP R 100K J 1/10W		
R569			RK73GB2A472J	CHIP R 4.7K J 1/10W		
R571			RK73GB2A103J	CHIP R 10K J 1/10W		
R580			RK73GB2A472J	CHIP R 4.7K J 1/10W		
R581,582			RK73GB2A103J	CHIP R 10K J 1/10W		
R585			RK73GB2A000J	CHIP R 0 J 1/10W		
R586			RK73GB2A102J	CHIP R 1.0K J 1/10W		
R601-603			RK73GB2A000J	CHIP R 0 J 1/10W		
R605,606			RK73GB2A682J	CHIP R 6.8K J 1/10W		
R607			RK73GB2A123J	CHIP R 12K J 1/10W		
R608			RK73GB2A682J	CHIP R 6.8K J 1/10W		
R609			RK73GB2A102J	CHIP R 1.0K J 1/10W		
R610			RK73GB2A4R7J	CHIP R 4.7 J 1/10W		
R612			RK73GB2A562J	CHIP R 5.6K J 1/10W		
R613			RK73GB2A472J	CHIP R 4.7K J 1/10W		
R615			RK73GB2A682J	CHIP R 6.8K J 1/10W		
R616			RK73GB2A123J	CHIP R 12K J 1/10W		
R619,620			RK73GB2A331J	CHIP R 330 J 1/10W		

L : Scandinavia K : USA P : Canada R : Mexico C : China I : Malaysia

Y : PX(Far East,Hawaii) T : England E : Europe G : Germany V : China(Shanghai)

Y : AAFES(Europe) X : Australia Q : Russia H : Korea M : Other Areas Δ indicates safety critical components .

* New Parts

Parts without **Parts No.** are not supplied.Les articles non mentionnés dans le **Parts No.** ne sont pas fournis.Teile ohne **Parts No.** werden nicht geliefert.

6

Ref. No	Add-ress	New Parts	Parts No.	Description	Desti-nation	Re-marks
R621,622			RK73GB2A221J	CHIP R 220 J 1/10W		
R623,624			RK73GB2A104J	CHIP R 100K J 1/10W		
R626,627			RK73GB2A102J	CHIP R 1.0K J 1/10W		
R640,641			RK73GB2A151J	CHIP R 150 J 1/10W		
R643-645			RK73GB2A151J	CHIP R 150 J 1/10W		
R646			RK73GB2A000J	CHIP R 0 J 1/10W		
R648,649			RK73GB2A750J	CHIP R 75 J 1/10W		KKBKs
R648,649			RK73GB2A750J	CHIP R 75 J 1/10W		XXS
R650			RK73GB2A750J	CHIP R 75 J 1/10W		
R655-661			RK73GB2A000J	CHIP R 0 J 1/10W		
R663			RK73GB2A000J	CHIP R 0 J 1/10W		
R664-666			RK73GB2A750J	CHIP R 75 J 1/10W		EEBES
R667-669			RK73GB2A750J	CHIP R 75 J 1/10W		
R901			RK73GB2A513J	CHIP R 51K J 1/10W		
R902-905			RK73GB2A472J	CHIP R 4.7K J 1/10W		
R907			RK73GB2A4R7J	CHIP R 4.7 J 1/10W		
SW901-907		*	S70-0121-08	SWITCH,TACT TS 6600R000036		
D101		*	1F7	DIODE,RECTIFIE 0DRRE00163A		
Δ D105-108		*	1A5	DIODE,RECTIFIE 0DRGF00309A		
Δ D121		*	1N5822	DIODE,RECTIFIE 0DR158220AA		
Δ D123		*	SB360-24A	DIODE,SWITCHIN 0DSGF00030A		
Δ D125		*	RL104F	DIODE,RECTIFIE 0DR104009BA		
D151,152			1N4148	DIODE,SWITCHIN 0DS141489BB		
Δ IC101		*	NCP1014AP100G	IC,POWER MANAG 0IPMGON024A		
Δ IC102		*	LTV-817B	SENSOR LTV-817 657-063A		
IC103		*	KIA431	IC,KEC KIA431 0IKE431000A		
IC201		*	IP9005L	IC,LINEAR IP90 0ILNRIJ003A		
IC501		*	MT1389FE	IC,LINEAR MT13 0ILNRNF009B		
IC502A		*	KV9C302032	PROGRAM DVD 90 6957R-020BH		EEBES
IC502A		*	KV9C302034	PROGRAM DVD 90 6957R-020BN		XXS
IC502A		*	KV90302031	PROGRAM DVD 90 6957R-020BJ		KKBKs
IC503		*	M12L64164A-7TG	IC,MEMORIES M1 0IMMREB004D		
IC505		*	AZ7029R	IC,POWER MANAG 0IPMGA0014A		
IC506		*	S1117-18Q	IC,POWER MANAG 0IPMGAU008A		
IC512		*	S524A40X21	IC,SAMSUNG ELE 0ISS240210A		
IC601		*	CS4344	IC,PERIPHERALS 0IPRPCI016A		
IC602		*	MC4580	IC,LINEAR MC45 80ILNRUC001A		
IC604			MM1623XFBE	IC,PERIPHERALS 0IPRPMT008A		
IC901		*	PT6961	IC,PERIPHERALS 0IPRPPY007A		
Q6A1		*	SRC1203S	TRANSISTOR,BIP 0TRAU80002A		EEBES
Δ Q121		*	STB1277	TRANSISTOR KTA 0TR127709AB		
Q122		*	2SC5343SG	TRANSISTOR,BIP 0TR534309BA		
Δ Q123		*	2SC5344	TRANSISTOR 2SC 0TR534409AA		
Q124		*	SRA2203S	TRANSISTOR SRA 0TR220309AF		
Δ Q125		*	STB1277	TRANSISTOR KTA 0TR127709AB		
Δ Q126		*	STD1862	TRANSISTOR,BIP 0TR186209AB		
Q201,202		*	2SA1980SY	TRANSISTOR,BIP 0TRAU80008A		
Q205			2SC5343SG	TRANSISTOR,BIP 0TRAU80017A		
Q206,207			2SK3018	TRANSISTOR,BIP 0TRRH80042A		
Q600			2SA1980SY	TRANSISTOR,BIP 0TRAU80008A		
Q603,604			2SC5343SG	TRANSISTOR,BIP 0TRAU80017A		
RC901		*	W02-4621-08	REMOTE CONT RE 6712R1238HA		
Δ V101		*	SVC681D-10A	VARISTOR, SVC6 656-004C		

L : Scandinavia K : USA P : Canada R : Mexico C : China I : Malaysia

Y : PX(Far East,Hawaii) T : England E : Europe G : Germany V : China(Shanghai)

Y : AAFES(Europe) X : Australia Q : Russia H : Korea M : Other Areas Δ indicates safety critical components .

PARTS LIST

7

* New Parts
 Parts without **Parts No.** are not supplied.
 Les articles non mentionnés dans le **Parts No.** ne sont pas fournis.
 Teile ohne **Parts No.** werden nicht geliefert.

Ref. No	Add-ress	New Parts	Parts No.	Description	Desti-nation	Re-marks
ZD151 ZD152		*	GDZJ13A UDZ5.6B	DIODE,ZENER GD 0DZ132609AB DIODE,ZENER GD 0DZ562609AA		
MECHANISM PARTS						
2	1B	*	A11-1238-08	BASE ASSEMBLY 3041R-D023A		
3	3B	*	D40-1851-08	BASE ASSEMBLY 3041R-M066A		
10	3B	*	E35-3718-08	CABLE,FLAT P=1 6850R-JW24Y		
12	2A	*	J02-1573-08	RUBBER DVD DP- 5040R-0083A		
12A	2B	*	J02-1574-08	RUBBER DVD REA 5040R-0110A		
13	1A	*	D16-0812-08	BELT DVD DP-9 4400R-0010A		
15	2A	*	T42-1156-08	MOTOR ASSEMBLY 4681R-A015A		
16	2B	*	J26-0154-08	PWB(PCB) ASSEM 6871R-9290A		
21	3B	*	T42-1157-08	MOTOR ASSEMBLY 4681R-B009A		
26	2A	*	J99-0856-08	TRAY DVD DP-9 3390R-0029A		
35	3B	*	J26-0155-08	PWB(PCB) ASSEM 6871R-9291A		
A		*	N09-5550-08	SCREW, D1.7 L7 1SZZR-0064B		
F		*	N39-1730-46	SCREW, MACHINE 1SZZR-0011A		
L		*	N89-2006-45	SCREW, D2.0 6M 1SZZH-1007B		

L : Scandinavia K : USA P : Canada R : Mexico C : China I : Malaysia
 Y : PX(Far East,Hawaii) T : England E : Europe G : Germany V : China(Shanghai)
 Y : AAFES(Europe) X : Australia Q : Russia H : Korea M : Other Areas ⚠ indicates safety critical components .

HOW TO READ THE PARTS LIST ABBREVIATION OF MODEL AND MASS PRODUCTIONS DESTINATIONS

MODEL	ABB.	Destinations		
		Australia	Europe	USA
DVF-3200-S		X	E	K
DVF-3250-B			E	K
DVF-3250-S		X	ES	KS

DVF-3200

SPECIFICATIONS

[Type]

System DVD video player
Signal read system Semiconductor laser

[D/A Conversion Section]

D/A conversion 24 Bit
Oversampling ... 8 fs (Sampling frequency; 44.1, 48 kHz)
..... 4 fs (Sampling frequency; 96 kHz)

[Audio section]

Frequency response
Sampling frequency ; 44.1 kHz 8 Hz ~ 20 kHz
Sampling frequency ; 48 kHz 8 Hz ~ 22 kHz
Sampling frequency ; 96 kHz 8 Hz ~ 44 kHz
Signal to noise ratio More than 100 dB
Dynamic range More than 92 dB
Total harmonic distortion Less than 0.007 % (1 kHz)
Channel separation More than 90 dB (1 kHz)
Wow and flutter Below measurable limit
Analog output level/impedance 2 V / 550 Ω
Digital output level/impedance
COAXIAL 0.5 Vp-p / 75 Ω

[Video Section]

Video output format NTSC/PAL
Video compression
DVD MPEG-2
Composite video output level
..... 1 Vp-p (75 Ω load, sync. negative)
S-video output level (Except for Europe)
(Y-signal) 1 Vp-p (75 Ω load, sync. negative)
(C-signal)
NTSC 0.286 Vp-p (75 Ω)
PAL 0.300 Vp-p (75 Ω)
Component Video output level
(Y-signal) 1 Vp-p (75 Ω)
(Cb-signal) 0.7 Vp-p (75 Ω)
(Cr-signal) 0.7 Vp-p (75 Ω)
RGB output level (SCART) (For Europe).... 0.7 Vp-p (75 Ω)
Horizontal resolution More than 500 lines
Video signal to noise ratio More than 70 dB

[General]

Power consumption 8 W
Dimensions W : 440 mm (17-5/16")
H : 41 mm (1-5/8")
D : 249 mm (9-13/16")

Weight (net) 1.9 kg (4.2 lb)



KENWOOD follows a policy of continuous advancements in development. For this reason specifications may be changed without notice.

- Sufficient performance may not be exhibited at extremely cold locations (Where water freezes).

